

# FD4

## LEDFRE210

The FD4 is a professional LED theatrical fresnel. It features a 15° to 60° electronic and manual zoom with a powerful 300W LED engine. It uses high quality LEDs, tuned to a temperature of 3200K. Boasting a CRI of over 96, this fresnel provides solid and accurate colour representation for video and photography. With TRIAC dimming compatibility, the fixture can be controlled either through DMX or dimming circuits. The FD4 is a lightweight, dependable fresnel, ideal for situations where both small size and power is required.



# FD4 Specifications

## Optical System

Lamp Source	300W LED
Beam Angle	15° to 60° (electronic)
CCT	3200K
CRI	96

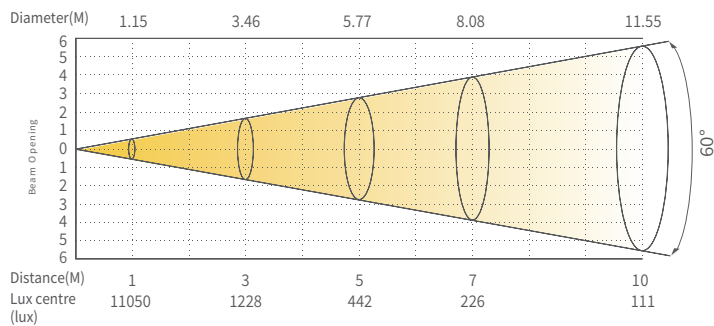
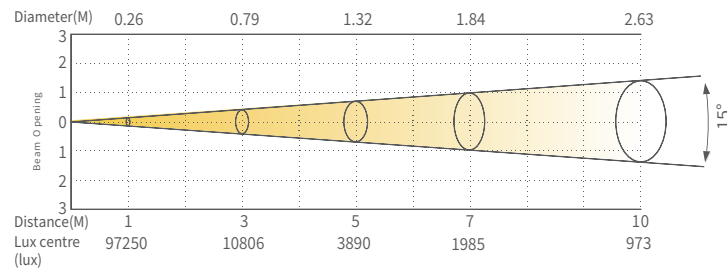
## Electrical Specifications

Voltage	100 – 240VAC 50/60Hz
Max Power	200W
Power Connection	PowerCon In/Out
Signal Connection	5pin DMX In/Out

## Work Environment

Ambient Temperature	0°C to 45°C
IP Rating	IP20

## Photometrics



## Control System

Dimmer	0 to 100% 16-bit
Cooling	Forced Convection
Control	DMX512, RDM, Dimming Control
Display	On-board Control
Zoom	Manual & electronic
Personality	UNO(1), DOS(2), STD.P(5)

## Appearance

Size (LWH)	417 x 286 x 423mm
Weight	6.6kg
Casing	Aluminium Die Cast
Colour	Black

## Included Accessories

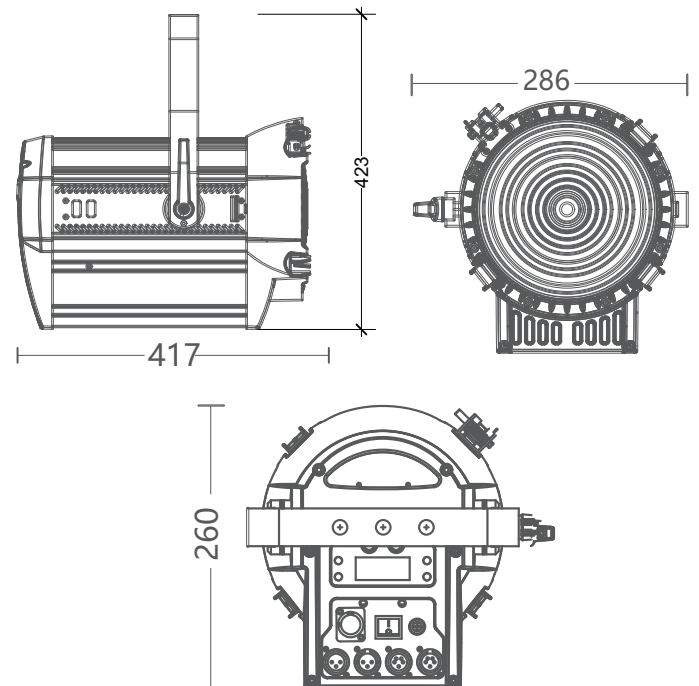
**PSHCAB100** 2m PowerCon Piggy Back

## Optional Accessories

**LEDFRE111** Barndoors

## Dimensions

Size (LWH) 417 x 286 x 423mm



**SYDNEY**  
+61 2 9748 1122

**MELBOURNE**  
+61 3 9681 7511

**PERTH**  
+61 8 9248 8119

**BRISBANE**  
+61 7 3267 3177

**AUCKLAND**  
+64 9 869 3293

**SHOW**  
TECHNOLOGY